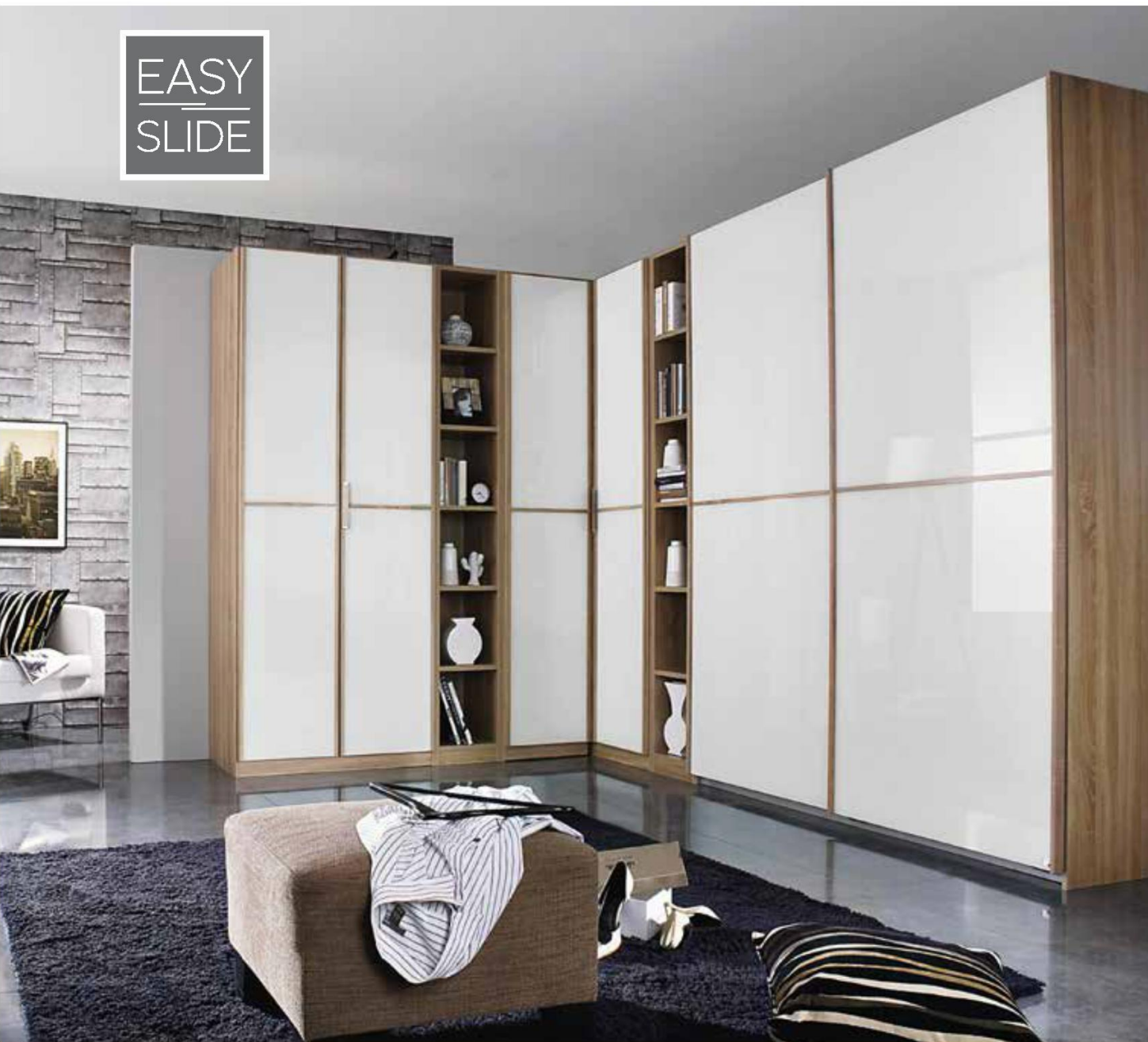


EASY
SLIDE



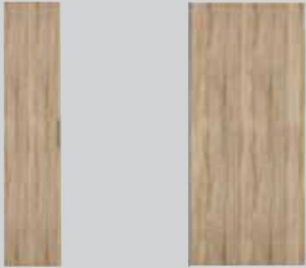
Pacific

EASY
SLIDE



Front
Colour

A



Front
Colour

B

with vertical trims



Front
Colour

C

with vertical and horizontal trims



Front
High polish

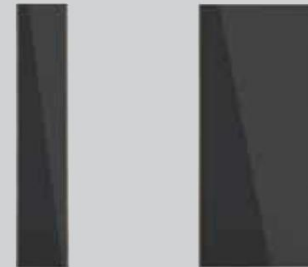
D



Front
Front Glass overlay

E

with vertical trims



Front
Front Glass overlay

F

with vertical and horizontal trims



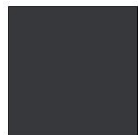
Front-/Carcase colours (Colour)



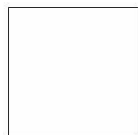
Alpine white



Sonoma oak colour



Metallic grey



High polish white



White glass



Basalt glass

Handles (Hinged doors, matching pieces)



Carcase-coloured,
short "D"



Chrome-coloured,
short "K"



Chrome-coloured, long "L"
(Wardrobe doors with bar handle,
Set of drawers and matching
pieces with handle)

Instructions for ordering:

- 1 Select the colour code for the desired colour variation from the upper table (e.g. **A510**).

+

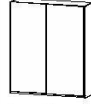
- 2 Find the identification letters for the design/colour of the handle and enter them in the space in the colour code (e.g. **A510D**).

+

- 3 Select the article no. based on the desired width. You will find the correct article no. and price for the appropriate front in the line below.

Col. code		COLOUR		UR FINISH WITH VERTICAL TRIMS	
Carcase colour	Front	Carcase coloured	Alpine white	Carcase coloured	Alpine white
Colour Sonoma oak		A510 ...	A511 ...	A520 ...	A521 ...
Metallic grey		A810 ...	A811 ...	A820 ...	A821 ...
Alpine white		A910 ...	---	A920 ...	---

HANDLE STRIPS AND PROFILES		CARCASE COLOURS = PG 1 Add D to the colour code.	

Width in cm		131	181
SLIDING DOOR WARDROBES			
Depth 62 cm			
Standard interior fittings in every unit: 1 clothes rail, Height 210 cm = 1 Shelf/unit Height 229 cm = 2 Shelf/unit			
Illustration			
Carcasewidth(cm)		90/90	90/90
Number of doors		2-door	2-door/1 Mirrored doors
HEIGHT 210 CM		Art. no.	Price
A our		44E1	...
B our*		44E1	...
C our finish with horizontal stripes*		44E1	...

External dimensions

Sliding door wardrobes

Widths _____ **181 cm** _____ **226 cm** _____ **271 cm**
 without passepartout _____ 1808 mm _____ 2256 mm _____ 2708 mm
 with passepartout _____ 1885 mm _____ 2333 mm _____ 2781 mm

Heights _____ **210 cm** _____ **229 cm**
 without passepartout _____ 2099 mm _____ 2291 mm
 with passepartout _____ 2140 mm _____ 2330 mm

Depth _____ **62 cm**
 without passepartout _____ 618 mm
 with passepartout _____ 634 mm

Hinged door wardrobes

Widths _____ **47 cm** _____ **91 cm** _____ **136 cm** _____ **181 cm** _____ **226 cm** _____ **271 cm**
 without cornice _____ 464 mm _____ 912 mm _____ 1360 mm _____ 1808 mm _____ 2256 mm _____ 2704 mm
 with cornice _____ 464 mm _____ 912 mm _____ 1360 mm _____ 1808 mm _____ 2256 mm _____ 2704 mm
 with cornice + passepartout _____ 508 mm _____ 965 mm _____ 1404 mm _____ 1852 mm _____ 2300 mm _____ 2748 mm

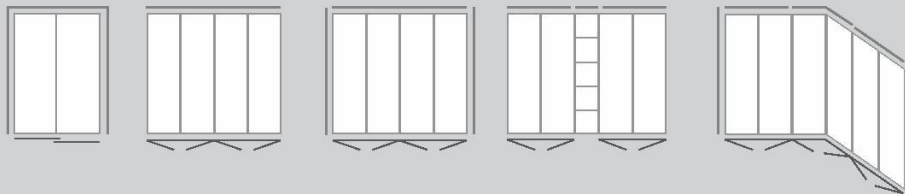
Heights _____ **210 cm** _____ **229 cm**
 without cornice _____ 2096 mm _____ 2288 mm
 with cornice _____ 2118 mm _____ 2310 mm

Depth _____ **54 cm**
 without cornice _____ 538 mm
 with cornice _____ 562 mm

Passepartouts and cornices

You can also order passepartouts and/or cornices to enhance the wardrobes. Full passepartouts are available for sliding door robes. For hinged door robes, you can either order just cornices, or passepartouts as well provided you include additional side uprights. Although shelves can be installed with a depth offset, the cornice can still remain flush with the front. Please bear in mind that corner robes with cornices can only be fitted between hinged door robes (not possible with sliding door robes!). Passepartouts are not possible at all between wardrobe units and on corner robes!

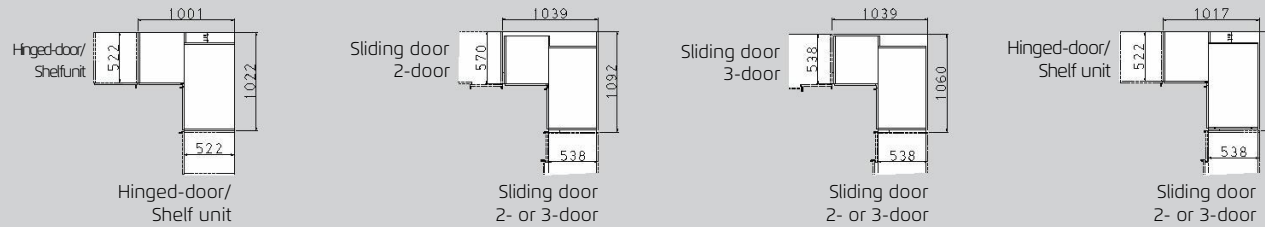
Examples:



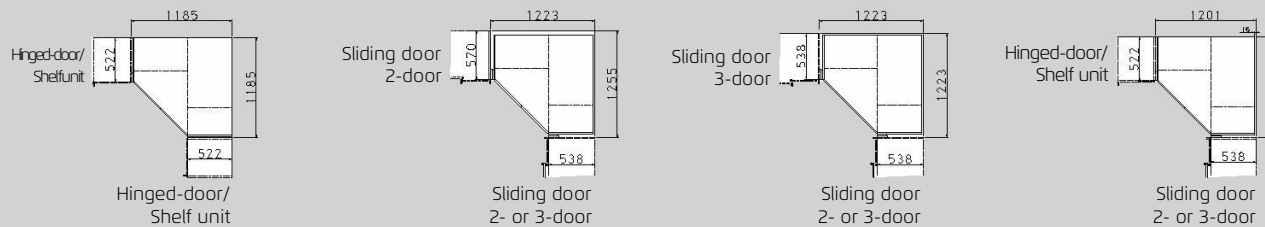
Layout examples and space requirement for corner robes combined with hinged and sliding door robes

The sliding and hinged door robes in the Essensa range can also be easily combined around a corner using the two optional (45° and 90°) corner robe variants. Please bear in mind that different space requirements and total dimensions apply, depending on the wardrobe configuration and layout (see examples below).

Corner robe 90°



Corner robe 45°

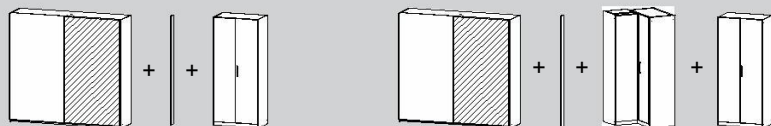


All dimensions in mm.

Options for adding hinged door and corner robes to sliding door robes

The Essensa wardrobe range allows you to arrange wardrobe units in the sequence you want. If, however, you wish to place a hinged door or corner robe next to a sliding door robe, you must always include a compensating profile between the units to ensure faultless operation of the doors.

Examples:





Sliding door wardrobes

*NOTE:
No additional vertical trims next to the handle strips on sliding doors.

1	COL. CODE	FRONT	A COLOUR		B COLOUR*		C COLOUR FINISH WITH HORIZONTAL TRIMS*		D HIGH POLISH	E GLASS	F GLASS WITH HORIZONTAL TRIMS*		
	Carcase colour		Carcase coloured	Alpine white	Carcase coloured	Alpine white	Carcase coloured	Alpine white	White	White	Basalt	White	Basalt
	Sonoma oak colour		A510	A511	A520	A521	A530	A531	A540	A550	A552	A560	A562
	Metallic grey		A810	A811	A820	A821	A830	A831	A840	A850	A852	A860	A862
	Alpine white		A910	---	A920	---	A930	---	A940	A950	A952	A960	A962


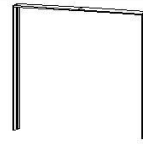
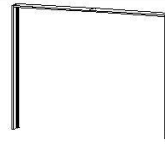
2	HANDLE STRIPS AND PROFILES	CARCASE COLOURS = Add D to the colour code.	CHROME-COLOURED = Add L to the colour code.
---	----------------------------	---	---

3	SLIDING DOOR WARDROBES	EASY SLIDE	Width in cm	181	181	226	226	271	271	NOTE: If a hinged door or a corner robe is added to a sliding-door robe, a compensating profile must always be mounted between them.						
	Standard interior fittings in every unit: 1 clothesrail, Height 210 cm = 1 shelf/unit Height 229 cm = 2 shelves/units		Depth 62 cm													
	Illustration		Carcas division (cm)	90/90	90/90	112,5/112,5	112,5/112,5	90/90/90	90/90/90	compensating profile						
	Number of doors			2-door	2-door, 1 mirror door	2-door	2-door, 1 mirror door	3-door	3-door, 1 mirror door	2 cm	12 cm					
	HEIGHT 210 CM		Art. no.	Price	...	HEIGHT 210 CM										
A	Colour		44E1	824	54B7	921	44E2	970	54B9	1097	44E3	1219	57S3	1316	9R10	93
B	Colour*		44E1	824	54B7	921	44E2	970	54B9	1097	44E3	1219	57S3	1316	9R10	93
C	Colour finish with horizontal trims*		44E1	853	54B7	950	44E2	1009	54B9	1136	44E3	1262	57S3	1360	9R10	93
D	High polish		44L1	1116	55H0	1067	44L2	1311	55H5	1267	44L3	1657	55H6	1608	9R10	93
E	Glass		51K3	1116	5SG1	1067	51K4	1311	5SG2	1267	51K5	1657	5SG3	1608	9R10	93
F	Glass with horizontal trims*		51K3	1145	5SG1	1097	51K4	1350	5SG2	1306	51K5	1701	5SG3	1652	9R10	93
	HEIGHT 229 CM		Art. no.	Price	...	HEIGHT 229 CM										
A	Colour		0Y6A	907	0Y6D	1014	0Y6B	1067	0Y6F	1209	0Y6C	1340	0Y6G	1448	9R11	102
B	Colour*		0Y6A	907	0Y6D	1014	0Y6B	1067	0Y6F	1209	0Y6C	1340	0Y6G	1448	9R11	102
C	Colour finish with horizontal trims*		0Y6A	941	0Y6D	1048	0Y6B	1111	0Y6F	1248	0Y6C	1389	0Y6G	1496	9R11	102
D	High polish		0Y7A	1228	0Y7D	1175	0Y7B	1443	0Y7F	1394	0Y7C	1823	0Y7G	1769	9R11	102
E	Glass		0K3A	1228	02B5	1175	0K4A	1443	02B6	1394	0K5A	1823	02B7	1769	9R11	102
F	Glass with horizontal trims*		0K3A	1262	02B5	1209	0K4A	1487	02B6	1438	0K5A	1872	02B7	1818	9R11	102



Sliding door wardrobes

Col. code	The passepartouts can be ordered with the same colour code as for the wardrobe.
Carcase colour	
Sonoma oak colour	
Alpine white	

PASSEPARTOUTS FOR SLID- ING DOOR WARDROBES.	Width cm	181	226	271		
	DWardrobe depth Passepartout = 64cm					
	Illustration					
	Name	passepartout	passepartout	passepartout		
External dimensions	189 cm 214 cm 23 cm	233 cm 214 cm 23 cm	278 cm 214 cm 23 cm			
HEIGHT 210 CM		Art. no.	Price	...	HEIGHT 210 CM	
Carcase coloured	9P2P	220	9P3P	232	9P4P	244
HEIGHT 229 CM		Art. no.	Price	...	HEIGHT 229 CM	
Carcase coloured	9T2E	228	9T3E	244	9T4E	257



Hinged door wardrobes

1	COL. CODE	FRONT	A OLOUR		B LOUR FINISH WITH VERTICAL TRIMS		C LOUR FINISH WITH VERTICAL AND HORIZONTAL TRIMS		D GH POLISH	E GLASS WITH VERTICAL TRIMS		F GLASS WITH VERTICAL AND HORIZONTAL TRIMS	
	CARCASE COLOUR		Carcase coloured	Alpine white	Carcase coloured	Alpine white	Carcase coloured	Alpine white	White	White	Basalt	White	Basalt
	Sonoma oak colour		A510 ...	A511 ...	A520 ...	A521 ...	A530 ...	A531 ...	A540 ...	A550 ...	A552 ...	A560 ...	A562 ...
	Metallic grey		A810 ...	A811 ...	A820 ...	A821 ...	A830 ...	A831 ...	A840 ...	A850 ...	A852 ...	A860 ...	A862 ...
	Alpine white		A910 ...	---	A920 ...	---	A930 ...	---	A940 ...	A950 ...	A952 ...	A960 ...	A962 ...

2	HANDLES AND PROFILES	CARCASE-COLOURED, SHORT = PG1 Add D to the colour code.	CHROME-COLOURED, SHORT = PG 2 Add K to the colour code	CHROME-COLOURED, LONG = PG 3 Add L to the colour code.
---	----------------------	---	--	--

3	HINGED DOOR WARDROBES	Width in cm	47		91		91		136		136		136		181			
	210 cm	Depth 54 cm																
	Standard interior fittings in every unit: 1 shelf and 1 clothes rail.	Illustration																
		Carcase division (cm)	45	45	90	90	90	90	90/45	90/45	90/45	90/45	90/45	90/90	90/90	90/90		
		Number of doors/drawers	1-door	1 mirrored door/2 drawers	2-door	2 mirrored doors/2 drawers	2 mirrored doors/2 drawers	2 mirrored doors/2 drawers	3-door	3-door	3-door/1 mirror door	3-door/1 mirror door	3-door/1 mirror door/2 DW	3-door/1 mirror door/2 DW	4-door	4-door		
	HEIGHT 210 CM	Price group	Art. no.				Price				...				HEIGHT 210 CM			
	A OLOUR	PG 1		244		351		346		541		502		561		648		600
		PG 2	4701	244	57K3	351	4F19	346	57K4	541	4772	502	5M04	561	5705	648	4203	600
		PG 3		288		351		390		541		590		648		736		687
	B LOUR FINISH WITH VERTICAL TRIMS	PG 1		278		366		414		565		604		629		731		736
		PG 2	4701	322	57K3	366	4F19	492	57K4	565	4772	726	5M04	707	5705	809	4203	892
		PG 3		366		366		502		565		780		804		907		911
	C LOUR FINISH WITH VERTICAL AND HORIZONTAL TRIMS	PG 1		278		366		414		565		604		629		731		736
		PG 2	4701	322	57K3	366	4F19	492	57K4	565	4772	726	5M04	707	5705	809	4203	892
		PG 3		366		366		502		565		780		804		907		911
	D GH POLISH	PG 1		302		400		463		619		678		678		814		833
		PG 2	4866	302	57L3	400	4867	463	57L4	619	4868	678	53S7	678	57L5	814	4869	833
		PG 3		346		400		507		619		765		902		921		921
	E GLASS WITH VERTICAL TRIMS	PG 1		336		414		531		643		780		746		897		970
		PG 2	53G2	380	57K5	414	53G3	609	57K6	643	53G4	902	52G3	824	57K7	975	53G5	1126
		PG 3		424		414		619		643		955		921		1072		1145
	F GLASS WITH VERTICAL AND HORIZONTAL TRIMS	PG 1		336		414		531		643		780		746		897		970
		PG 2	53G2	380	57K5	414	53G3	609	57K6	643	53G4	902	52G3	824	57K7	975	53G5	1126
		PG 3		424		414		619		643		955		921		1072		1145

More widths on the next page.

UK prices = GBP
Prices are subject to change

Price list
Valid as of 01.03.2023



Hinged door wardrobes

1	COL. CODE	FRONT	A COLOUR		B COLOUR FINISH WITH VERTICAL TRIMS		C COLOUR FINISH WITH VERTICAL AND HORIZONTAL TRIMS		D GLOSS	E CLASS WITH VERTICAL TRIMS		F GLASS WITH VERTICAL AND HORIZONTAL TRIMS	
	CARCASE COLOUR		Carcase coloured	Alpine white	Carcase coloured	Alpine white	Carcase coloured	Alpine white	White	White	Basalt	White	Basalt
	Sonoma oak colour		A510_	A511_	A520_	A521_	A530_	A531_	A540_	A550_	A552_	A560_	A562_
	Metallic grey		A810_	A811_	A820_	A821_	A830_	A831_	A840_	A850_	A852_	A860_	A862_
	Alpine white		A910_	---	A920_	---	A930_	---	A940_	A950_	A952_	A960_	A962_

2	HANDLES AND PROFILES	CARCASE-COLOURED, SHORT = PG1 Add D to the colour code.	CHROME-COLOURED, SHORT = PG 2 Add K to the colour code	CHROME-COLOURED, LONG = PG 3 Add L to the colour code.
---	----------------------	---	--	--

3			181		226		226		226		271		271		271	
HINGED DOOR WARDROBES 210 cm	Width in cm		181	181	226	226	226	271	271	271						
	Depth 54 cm															
	Standard interior fittings in every unit: 1 shelf and 1 clothes rail.	Illustration														
	Carcase division (cm)		90/90	45/90/45	90/45/90	90/45/90	90/45/90	90/90/90	90/90/90	90/90/90						
	Number of doors/drawers		4-door/2 mirror door	4-door/2 mirror door/2DW	5-door	5-door/1 mirror door	5-door/1 mirror door/2DW	6-door	6-door	6-door/2 mirror door						

HEIGHT 210 CM		Price group	Art. no.	Price	HEIGHT 210 CM													
A	Colour	PG 1		716	833	746	804	902	892	1009	1106							
		PG 2	5M06	716	5379	833	4204	746	5223	804	902	4F30	892	5F30	1009	5384	1106	
		PG 3		804		921		877		892	989		1024		1097		1194	
B	Colour finish with vertical trims	PG 1		785	926	916	941	1018	1097	1145	1243							
		PG 2	5M06	863	5379	1004	4204	1072	5223	1097	57K9	1175	4F30	1253	5F30	1301	5384	1399
		PG 3		960		1101		1204		1184	1262		1384		1389		1487	
C	Colour finish with vertical and horizontal trims	PG 1		785	926	916	941	1018	1097	1145	1243							
		PG 2	5M06	863	5379	1004	4204	1072	5223	1097	57K9	1175	4F30	1253	5F30	1301	5384	1399
		PG 3		960		1101		1204		1184	1262		1384		1389		1487	
D	Gloss	PG 1		833	1028	1038	1038	1136	1243	1243	1340							
		PG 2	53S8	833	5C54	1028	4271	1038	53S9	1038	5C57	1136	4274	1243	53SA	1243	5C56	1340
		PG 3		921		1116		1170		1126	1223		1375		1331		1428	
E	Class with vertical trims	PG 1		902	1121	1248	1214	1365	1428	1360	1482							
		PG 2	52G4	980	57K8	1199	53G8	1404	52G5	1370	57K1	1521	53G9	1584	52G6	1457	57K2	1579
		PG 3		1077		1296		1535		1547	1608		1716		1545		1667	
F	Class with vertical and horizontal trims	PG 1		902	1121	1248	1214	1365	1428	1360	1482							
		PG 2	52G4	980	57K8	1199	53G8	1404	52G5	1370	57K1	1521	53G9	1584	52G6	1457	57K2	1579
		PG 3		1077		1296		1535		1547	1608		1716		1545		1667	



Hinged door wardrobes

1	COL. CODE	FRONT	A OLOUR		B LOUR FINISH WITH VERTICAL TRIMS		C LOUR FINISH WITH VERTICAL AND HORIZONTAL TRIMS		D GH POLISH	E ASS WITH VERTICAL TRIMS		F GLASS WITH VERTICAL AND HORIZONTAL TRIMS	
	CARCASE COLOUR		Carcase coloured	Alpine white	Carcase coloured	Alpine white	Carcase coloured	Alpine white	White	White	Basalt	White	Basalt
	Sonoma oak colour		A510	A511	A520	A521	A530	A531	A540	A550	A552	A560	A562
	Metallic grey		A810	A811	A820	A821	A830	A831	A840	A850	A852	A860	A862
	Alpine white		A910	---	A920	---	A930	---	A940	A950	A952	A960	A962

2	HANDLES AND PROFILES	CARCASE-COLOURED, SHORT = PG1 Add D to the colour code.	CHROME-COLOURED, SHORT = PG 2 Add K to the colour code	CHROME-COLOURED, LONG = PG 3 Add L to the colour code.
---	----------------------	---	--	--

3	HINGED DOOR WARDROBES		HEIGHT 229 CM															
	Width in cm	229 cm	47	47	91	91	136	136	136	181								
	Depth 54 cm																	
	Standard interior fittings in every unit: 2 shelves and 1 clothes rail. Combi unit = 1 shelf																	
	Illustration																	
	Carcase division (cm)		45	45	90	90	90/45	90/45	90/45	90/90								
	Number of doors/drawers		1-door	1 mirrored door/2 drawers	2-door	2 mirrored doors/2 drawers	3-door	3-door/1 mirror door	3-door/1 mirror door/2 DW	4-door								
	Price group		HEIGHT 229 CM															
A	Colour	PG 1	17D2	268	15K3	385	17D3	380	15K4	595	17D4	551	18S3	619	15K5	712	17D5	658
		PG 2		268		385		380		595		551		619		712		658
		PG 3		316		385		429		595		648		712		809		755
B	Colour finish with vertical trims	PG 1	17D2	307	15K3	405	17D3	458	15K4	624	17D4	663	18S3	692	15K5	804	17D5	809
		PG 2		356		405		541		624		799		780		892		980
		PG 3		405		405		551		624		858		887		999		1004
C	Colour finish with vertical and horizontal trims	PG 1	17D2	307	15K3	405	17D3	458	15K4	624	17D4	663	18S3	692	15K5	804	17D5	809
		PG 2		356		405		541		624		799		780		892		980
		PG 3		405		405		551		624		858		887		999		1004
D	High polish	PG 1	17L2	331	15L3	439	17L3	512	15L4	682	17L4	746	18H3	746	15L5	897	17L5	916
		PG 2		331		439		512		682		746		746		897		916
		PG 3		380		439		556		682		843		843		994		1014
E	Ass with vertical trims	PG 1	17G2	370	18K5	458	17G3	585	18K6	707	17G4	858	15G3	819	18K7	985	17G5	1067
		PG 2		419		458		673		707		994		907		1072		1238
		PG 3		468		458		682		707		1053		1014		1180		1262
F	Ass with vertical and horizontal trims	PG 1	17G2	370	18K5	458	17G3	585	18K6	707	17G4	858	15G3	819	18K7	985	17G5	1067
		PG 2		419		458		673		707		994		907		1072		1238
		PG 3		468		458		682		707		1053		1014		1180		1262

More widths on the next page.

UK prices = GBP
Prices are subject to change

Price list
Valid as of 01.03.2023



Hinged door wardrobes

1 COL. CODE	FRONT	A COLOUR		B COLOUR FINISH WITH VERTICAL TRIMS		C COLOUR FINISH WITH VERTICAL AND HORIZONTAL TRIMS		D HIGH POLISH	E GLASS WITH VERTICAL TRIMS		F GLASS WITH VERTICAL AND HORIZONTAL TRIMS	
CARCASE COLOUR		Carcase coloured	Alpine white	Carcase coloured	Alpine white	Carcase coloured	Alpine white	White	White	Basalt	White	Basalt
Sonoma oak colour		A510_	A511_	A520_	A521_	A530_	A531_	A540_	A550_	A552_	A560_	A562_
Metallic grey		A810_	A811_	A820_	A821_	A830_	A831_	A840_	A850_	A852_	A860_	A862_
Alpine white		A910_	---	A920_	---	A930_	---	A940_	A950_	A952_	A960_	A962_

2 HANDLES AND PROFILES	CARCASE-COLOURED, SHORT = PG1 Add D to the colour code.	CHROME-COLOURED, SHORT = PG 2 Add K to the colour code	CHROME-COLOURED, LONG = PG 3 Add L to the colour code.
------------------------	---	--	--

3 HINGED DOOR WARDROBES 229 cm Standard interior fittings in every unit: 2 shelves and 1 clothes rail Combi unit = 1 shelf	Width in cm	181	181	226	226	271	271	271	271	
	Depth 54 cm	Illustration								
	Carcase division (cm)	90/90	45/90/45	90/45/90	90/45/90	90/45/90	90/90/90	90/90/90	90/90/90	90/90/90
Number of doors/drawers	4-door/2 mirror door	4-door/2 mirror door/2DW	5-door	5-door/1 mirror door	5-door/1 mirror door/2DW	6-door	6-door	6-door/2 mirror door	6-door/2 mirror door/2DW	

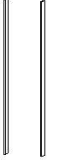
HEIGHT 229 CM	Price group	Art. no. Price ...															
		HEIGHT 229 CM															
A Colour	PG 1		790		916		819		887		994		980		1111		1219
	PG 2	18S4	790	15K6	916	17D8	819	18S0	887	15K7	994	17D9	980	18S5	1111	15K8	1219
	PG 3		887		1014		965		980		1087		1126		1209		1316
B Colour finish with vertical trims	PG 1		863		1019		1009		1033		1121		1209		1262		1370
	PG 2	18S4	950	15K6	1106	17D8	1180	18S0	1209	15K7	1292	17D9	1379	18S5	1433	15K8	1540
	PG 3		1058		1214		1326		1301		1389		1521		1530		1638
C Colour finish with vertical and horizontal trims	PG 1		863		1019		1009		1033		1121		1209		1262		1370
	PG 2	18S4	950	15K6	1106	17D8	1180	18S0	1209	15K7	1292	17D9	1379	18S5	1433	15K8	1540
	PG 3		1058		1214		1326		1301		1389		1521		1530		1638
D High polish	PG 1		916		1131		1141		1141		1248		1370		1370		1477
	PG 2	18H4	916	15L6	1131	17L8	1141	18H8	1141	15L8	1248	17L9	1370	18H9	1370	15L9	1477
	PG 3		1014		1228		1287		1238		1345		1511		1462		1569
E Glass with vertical trims	PG 1		994		1233		1375		1336		1501		1569		1497		1628
	PG 2	15G4	1077	18K8	1321	17G8	1545	15G5	1506	18K1	1672	17G9	1745	15G6	1604	18K2	1735
	PG 3		1184		1428		1691		1604		1769		1886		1701		1833
F Glass with vertical and horizontal trims	PG 1		994		1233		1375		1336		1501		1569		1497		1628
	PG 2	15G4	1077	18K8	1321	17G8	1545	15G5	1506	18K1	1672	17G9	1745	15G6	1604	18K2	1735
	PG 3		1184		1428		1691		1604		1769		1886		1701		1833



Hinged door wardrobes

COL. CODE	All cornices can be ordered using the same colour code as for the wardrobe!
Carcase colour	
Sonoma oak colour	
Metallic grey	
Alpine white	


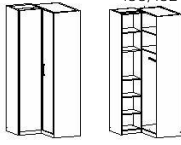
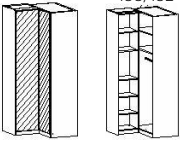
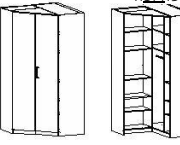
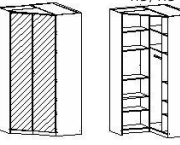
CORNICES FOR HINGED DOOR ROBES	Width in cm	47	91	136	181	226	271					
	Depth incl. cornice = 58 cm											
	Illustration											
	Name	cornice	cornice	cornice	cornice	cornice	cornice					
Dimensions wardrobe	47 cm 212 cm/231 cm	91 cm 212 cm/231 cm	136 cm 212 cm/231 cm	↔ 181 cm ↓ 212 cm/231 cm	226 cm 212 cm/231 cm	271 cm 212 cm/231 cm						
		Art. no.	Price	...								
Carcase coloured	8K04	29	8K05	46	8K06	58	8K07	75	8K22	87	8K27	104

PASSEPARTOUT SIDES FOR HINGED DOOR WARDROBES	Width in cm	for all widths					
	Wardrobe depth incl. passepartout = 58 cm	 <div style="border: 1px dashed black; padding: 5px; margin-top: 10px;"> <p>NOTE:</p> <ul style="list-style-type: none"> • Passepartout sides only possible in conjunction with cornices. • Cannot be mounted directly on corner robes (doors cannot be opened). • Total width of wardrobe and passepartout: wardrobe width + 4 cm </div>					
	Illustration						
	Name	passepartout sides					
Dimensions	2 cm 212 cm/231 cm 12 cm						
HEIGHT 210 CM		Art. no.	Price	...			
Carcase coloured	9P86	68					
HEIGHT 229 CM		Art. no.	Price	...			
Carcase coloured	9P51	74					

Shelf unit, corner robes




1 COL. CODE		A COLOUR		B COLOUR FINISH WITH VERTICAL TRIMS		C COLOUR FINISH WITH VERTICAL AND HORIZONTAL TRIMS		D GLOSS		E CLASS WITH VERTICAL TRIMS		F GLASS WITH VERTICAL AND HORIZONTAL TRIMS	
FRONT		COLOUR		COLOUR		COLOUR		COLOUR		COLOUR		COLOUR	
CARCASE COLOUR		Carcase coloured	Alpine white	Carcase coloured	Alpine white	Carcase coloured	Alpine white	White	White	Basalt	White	Basalt	
Sonoma oak colour		A510_	A511_	A520_	A521_	A530_	A531_	A540_	A550_	A552_	A560_	A562_	
Metallic grey		A810_	A811_	A820_	A821_	A830_	A831_	A840_	A850_	A852_	A860_	A862_	
Alpine white		A910_	---	A920_	---	A930_	---	A940_	A950_	A952_	A960_	A962_	
2 HANDLES AND PROFILES		CARCASE-COLOURED, SHORT = PG1 Add D to the colour code.				CHROME-COLOURED, SHORT = PG 2 Add K to the colour code				CHROME-COLOURED, LONG = PG 3 Add L to the colour code.			
3 SHELF UNIT, CORNER WARDROBE		Width in cm		100		100		119		119			
210 cm		Depth 40 cm (shelf units only!)											
Illustration				Please note information on p. 5!		Please note information on p. 5!		Please note information on p. 5!		Please note information on p. 5!			
Name		shelf unit		hinged door corner robe		hinged door corner robe		hinged door corner robe		hinged door corner robe			
Name		with 5 shelves		2-door		2-door, 2 mirror doors		2-door, with comp. profiles		2-door, 2 mirror doors with comp. profiles			
HEIGHT 210 CM		Price group		Art. no.		Price		HÖHE 210 CM		Art. no.		Price	
A our		PG 1		9226		239		804		921		829	
		PG 2				239		4062		804		5062	
		PG 3				239				848		921	
B our finish with vertical trims		PG 1		9226		239		873		921		902	
		PG 2				239		4062		950		5062	
		PG 3				239				960		921	
C our finish with vertical and horizontal trims		PG 1		9226		239		872		921		902	
		PG 2				239		4062		950		5062	
		PG 3				239				960		921	
D gloss		PG 1		9226		239		921		921		951	
		PG 2				239		40L7		921		5062	
		PG 3				239				970		921	
E class with vertical trims		PG 1		9226		239		989		921		1019	
		PG 2				239		53G7		1067		5062	
		PG 3				239				1072		921	
F class with vertical and horizontal trims		PG 1		9226		239		989		921		1019	
		PG 2				239		53G7		1067		5062	
		PG 3				239				1072		921	

Shelf unit, corner robes

1 COL. CODE		FRONT		A OLOUR		B LOUR FINISH WITH VERTICAL TRIMS		C LOUR FINISH WITH VERTICAL AND HORIZONTAL TRIMS		D GH POLISH		E ASS WITH VERTICAL TRIMS		F GLASS WITH VERTICAL AND HORIZONTAL TRIMS		
CARCASE COLOUR		Carcase coloured	Alpine white	Carcase coloured	Alpine white	Carcase coloured	Alpine white	Carcase coloured	Alpine white	White	White	Basalt	White	Basalt		
Sonoma oak colour		A510_	A511_	A520_	A521_	A530_	A531_	A540_	A541_	A550_	A551_	A560_	A561_	A562_		
Metallic grey		A810_	A811_	A820_	A821_	A830_	A831_	A840_	A841_	A850_	A851_	A860_	A861_	A862_		
Alpine white		A910_	---	A920_	---	A930_	---	A940_	A941_	A950_	A951_	A960_	A961_	A962_		
2 HANDLES AND PROFILES		CARCASE-COLOURED, SHORT = PG1 Add D to the colour code.					CHROME-COLOURED, SHORT = PG2 Add K to the colour code					CHROME-COLOURED, LONG = PG3 Add L to the colour code.				
3 SHELF UNIT, CORNER WARDROBE		Width in cm		33		100		100		119		119				
229 cm		Depth 40 cm (shelf units only!)														
		Illustration		Please note information on p. 5!		Please note information on p. 5!		Please note information on p. 5!		Please note information on p. 5!						
		Name		shelf unit		hinged door corner robe		hinged door corner robe		hinged door corner robe		hinged door corner robe				
		Name		with 6 shelves		2-door		2-door, 2 mirror doors		2-door, with comp. profiles		2-door, 2 mirror doors, with comp. profiles				
HEIGHT 229 CM		Price group		Art. no.		Price		...		HEIGHT 229 CM						
A	our	PG 1														
		PG 2	9228	263	17D7	887	18S7	1014	0X5B	911	0X5D	1048				
		PG 3		263		930		1014		960		1048				
B	our finish with vertical trims	PG 1														
		PG 2	9228	263	17D7	360	18S7	1014	0X5B	994	0X5D	1048				
		PG 3		263		1048		1014		1077		1048				
C	our finish with vertical and horizontal trims	PG 1														
		PG 2	9228	263	17D7	960	18S7	1014	0X5B	1087	0X5D	1048				
		PG 3		263		1048		1014		994		1048				
D	gh polish	PG 1														
		PG 2	9228	263	17L7	1058	18S7	1014	0X7B	1077	0X7D	1048				
		PG 3		263		960		1014		1087		1048				
E	ass with vertical trims	PG 1														
		PG 2	9228	263	17G7	1014	18S7	1014	0X8B	1048	0X8D	1048				
		PG 3		263		1087		1014		1209		1048				
F	ass with vertical and horizontal trims	PG 1														
		PG 2	9228	263	17G7	1175	18S7	1014	0X8B	1219	0X8D	1048				
		PG 3		263		1087		1014		1121		1048				



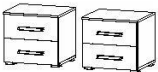
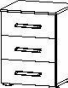


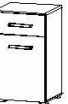




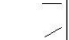
Shelf unit, corner robes

COL. CODE	All cornices can be ordered using the same colour code as for the wardrobe!
Carcase colour	
Sonoma oak colour	
Alpine white	

CORNICES FOR SHELF UNIT, CORNER WARDROBE	Width in cm	33	100	117							
	Depth incl. cornice = 45 cm (shelf units only!)										
	Illustration										
	Name	cornice	cornice	cornice							
Dimensions in wardrobe	212 cm/231 cm	212 cm/231 cm	212 cm/231 cm								
	Art. no.	Price	...								
Carcase coloured	8K80	58	9K11	75	8K89	87					

Matching pieces

*NOTE:
No additional vertical
trims next to the handle
strips on sliding doors.

1 COL. CODE		FRONT		A COLOUR		B COLOUR FINISH WITH VERTICAL TRIMS		C COLOUR FINISH WITH VERTICAL AND HORIZONTAL TRIMS		D HIGH POLISH		E COLOUR WITH VERTICAL TRIMS		F GLASS WITH VERTICAL AND HORIZONTAL TRIMS											
CARCASE COLOUR		Carcase coloured	Alpine white	Carcase coloured	Alpine white	Carcase coloured	Alpine white	Carcase coloured	Alpine white	White	White	Basalt	White	Basalt											
Sonoma oak colour		A510	A511	A520	A521	A530	A531	A540	A541	A550	A551	A552	A560	A561											
Metallic grey		A810	A811	A820	A821	A830	A831	A840	A841	A850	A851	A852	A860	A861											
Alpine white		A910	---	A920	---	A930	---	A940	A941	A950	A951	A952	A960	A961											
2 HANDLES AND PROFILES		CARCASE-COLOURED, SHORT = PG1 Add D to the colour code.				CHROME-COLOURED, SHORT = PG 2 Add K to the colour code				CHROME-COLOURED, LONG = PG 3 Add L to the colour code.															
3 MATCHING PIECES		Width in cm		47		47		47		47		47		47											
flat-packed  Requires self assembly																									
		Drawing		bedside table		bedside tables, pair		bedside table		bedside tables, pair		chest		chest											
All drawers with cushioned self-closing mechanism.		Name		2 drawers		2 drawers		3 drawers		3 drawers		4 drawers		1-door, 1 drawer											
		Dimensions		47 cm 43 cm 42 cm		47 cm 43 cm 42 cm		47 cm 62 cm 42 cm		47 cm 62 cm 42 cm		47 cm 81 cm 42 cm		47 cm 81 cm 42 cm											
		Art. no.		Price		...																			
A Colour		636Z		147		637B		279		637C		171		637D		326		638N		276		637G 		219	
C Colour finish with horizontal trims*		636Z		147		637B		279		637C		171		637D		326		638N		276		637G 		219	
D High polish		629A		171		629B		326		629C		229		629D		444		629F		332		629G 		276	
F Colour with horizontal trims*		671A		206		671B		397		671C		288		671D		561		671F		422		671G 		365	

Matching pieces

*NOTE:
 No additional vertical trims next to the handle strips on sliding doors.

1	COL. CODE	FRONT	A COLOUR		B COLOUR FINISH WITH VERTICAL TRIMS		C COLOUR FINISH WITH VERTICAL AND HORIZONTAL TRIMS		D HIGH POLISH	E COLOUR WITH VERTICAL TRIMS		F GLASS WITH VERTICAL AND HORIZONTAL TRIMS	
	CARCASE COLOUR		Carcase coloured	Alpine white	Carcase coloured	Alpine white	Carcase coloured	Alpine white	White	White	Basalt	White	Basalt
	Sonoma oak colour		A510_	A511_	A520_	A521_	A530_	A531_	A540_	A550_	A552_	A560_	A562_
	Metallic grey		A810_	A811_	A820_	A821_	A830_	A831_	A840_	A850_	A852_	A860_	A862_
	Alpine white		A910_	---	A920_	---	A930_	---	A940_	A950_	A952_	A960_	A962_

2	HANDLES AND PROFILES	CARCASE-COLOURED, SHORT = PG1 Add D to the colour code.	CHROME-COLOURED, SHORT = PG 2 Add K to the colour code	CHROME-COLOURED, LONG = PG 3 Add L to the colour code.
---	----------------------	---	--	--

3	MATCHING PIECES	Width in cm	93	93	93					
	flat-packed Requires self assembly									
	SOFT CLOSE All drawers with cushioned self-closing mechanism.	Drawing								
		Name	chest	chest	chest					
		Name	8 drawers	4 drawers	5 drawers					
		Dimensions	93 cm 81 cm 42 cm	93 cm 81 cm 42 cm	93 cm 81 cm 42 cm					
		Art. no.	Price		...					

A	Colour	639A	534	645T	422	645D	422						
B C	Colour finish with horizontal trims*	639A	534	645T	422	645D	422						
D	High polish	676A	630	676B	517	676C	518						
F	Glass with horizontal trims*	679A	759	679B	647	679C	647						

Available handles:

Carcase colours "D"

Chrome-coloured "K"

Chrome-coloured "L"
Chests Matching pieces with short handle.

Position of handle for plain fronts Handle position on fronts without profiles (A and D):

Carcase colour handle "D"

Chrome-coloured handle "K"

Chrome-coloured handle "L"

Position of handle position on fronts with profiles (B, C, E, F):

Carcase colour handle "D"

Chrome-coloured handle "K"

Chrome-coloured handle "L"

Extras for HINGED door wardrobes – Standard: height 210 cm = 1 shelf and 1 hanging rail per unit | height 229 cm = 2 shelves and 1 hanging rail per unit – Please order with Colour code **A0033**

	Width 45 cm	Width 90 cm	Width 136 cm		Width 181 cm		Width 226 cm			Width 270 cm			
			left unit	right unit	left unit	right unit	left unit	central unit	right unit	left unit	central unit	right unit	
Wardrobe units	45	90	90	45	90	90	90	45	90	90	90	90	
Hanging rail	9737 ✓	9736 ✓	9736 ✓	9737 ✓	9736 ✓	9736 ✓	9736 ✓	9737 ✓	9736 ✓	9736 ✓	9736 ✓	9736 ✓	
Shelf	9601 ✓	9604 ✓	9604 ✓	9601 ✓	9604 ✓	9604 ✓	9604 ✓	9601 ✓	9604 ✓	9604 ✓	9604 ✓	9604 ✓	
Set of 3 shelves	9602 ✓	9605 ✓	9605 ✓	9602 ✓	9605 ✓	9605 ✓	9605 ✓	9602 ✓	9605 ✓	9605 ✓	9605 ✓	9605 ✓	
Interior drawer	9893 ✓	9895 ✓	9895 ✓	9893 ✓	9895 ✓	9895 ✓	9895 ✓	9893 ✓	9895 ✓	9895 ✓	9895 ✓	9895 ✓	
1/2-1/2-Division	✗	9951 ✓	9951 ✓	✗	9951 ✓	9951 ✓	9951 ✓	✗	9951 ✓	9951 ✓	9951 ✓	9951 ✓	
	Width 45 cm - Combi	Width 90 cm - Combi	Width 136 cm - Combi		Width 181 cm - Combi			Width 226 cm - Combi			Width 270 cm - Combi		
			left unit	right unit	left unit	right unit	left unit	central unit	right unit	left unit	central unit	right unit	
Wardrobe units	45	90	90	45	45	90	45	90	90	90	90	90	
Hanging rail	9737 ✓	9736 ✓	9736 ✓	9737 ✓	9737 ✓	9736 ✓	9737 ✓	9736 ✓	9736 ✓	9736 ✓	9736 ✓	9736 ✓	
Shelf	9601 ✓	9604 ✓	9604 ✓	9601 ✓	9601 ✓	9604 ✓	9601 ✓	9601 ✓	9604 ✓	9604 ✓	9604 ✓	9604 ✓	
Set of 3 shelves	9602 ✓	9605 ✓	9605 ✓	9602 ✓	9602 ✓	9605 ✓	9602 ✓	9602 ✓	9605 ✓	9605 ✓	9605 ✓	9605 ✓	
Interior drawer	✗	✗	✗	9893 ✓	9893 ✓	✗	9893 ✓	✗	9895 ✓	✗	9895 ✓	9895 ✓	
1/2-1/2-Division	✗	✗	✗	✗	✗	✗	✗	✗	9951 ✓	✗	9951 ✓	9951 ✓	

Extras for SLIDING door wardrobes – Standard: height 210 cm = 1 shelf and 1 hanging rail per unit | height 229 cm = 2 shelves and 1 hanging rail per unit– Please order with Colour code **A0033**

Width 180 cm



	left unit	right unit
Wardrobe units	90	90
Hanging rail	9736 ✓	9736 ✓
Shelf	9672 ✓	9672 ✓
Set of 3 shelves	9674 ✓	9674 ✓
Interior drawer	9866 ✓	9866 ✓
1/2-1/2-Division	9991 ✓	9991 ✓
Soft-Close	9DC2 ✓	

Width 226 cm



	left unit	right unit
Wardrobe units	112,5	112,5
Hanging rail	9709 ✓	9709 ✓
Shelf	9F01 ✓	9F01 ✓
Set of 3 shelves	9F03 ✓	9F03 ✓
Interior drawer	9806 ✓	9806 ✓
1/2-1/2-Division	9939 ✓	9939 ✓
Soft-Close	9DC2 ✓	

Width 270 cm



	left unit	central unit	right unit
Wardrobe units	90	90	90
Hanging rail	9736 ✓	9736 ✓	9736 ✓
Shelf	9672 ✓	9672 ✓	9672 ✓
Set of 3 shelves	9674 ✓	9674 ✓	9674 ✓
Interior drawer	9866 ✓	✗	9866 ✓
1/2-1/2-Division	9991 ✓	9991 ✓	9991 ✓
Soft-Close	9DC2 ✓		

Wardrobe units	
Hanging rail	
Shelf	
Set of 3 shelves	
Interior drawer	
1/2-1/2-Division	
Soft-Close	